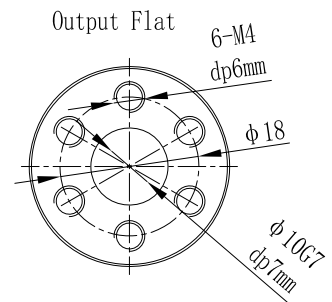
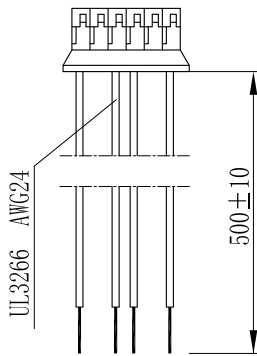
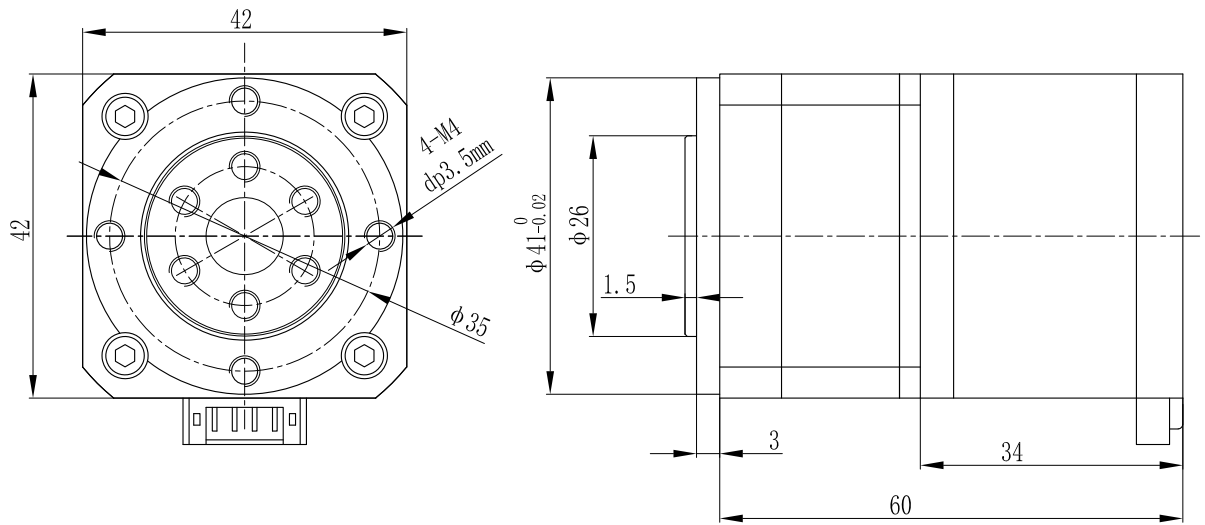


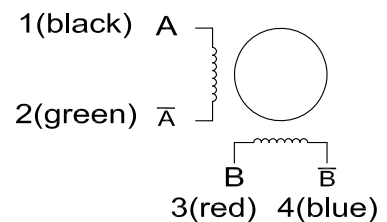
Technical Specs:

- 1) Good appearance, no dirt, no scratch.
- 2) Protection Class: IP40
- 3) Noise: No abnormal noise at the distance 1m.



Technical Specifications		
ITEM	Unit	Info
Step angle	°	0.06
Phases		2
Ratio		1:30
Rated current	A	1.4
Resistance	Ω	2.3 ± 10%
Inductance	mH	3.8 ± 20%
Backlash	arcmin	≤ 2
Noise	dB	≤ 40
Sealing		ball bearing
Protective system		IP 40
Lubrication		life grease
Insulation class		B
Operating temperature	°C	-25~+50
Storage temperature	°C	-25~+80
Weight	g	ca. 383

Motor winding diagram



A					Name	PN	Y17-34-30A		
	Ver	change	mark	number	change order	Harmonic Stepper Motor		Unmarked Tolerance	Scale: 1:1
Design					Description		42x42x62mm		
Check					SHANGHAI		GEARMOTOR Co. LTD		
Approval									